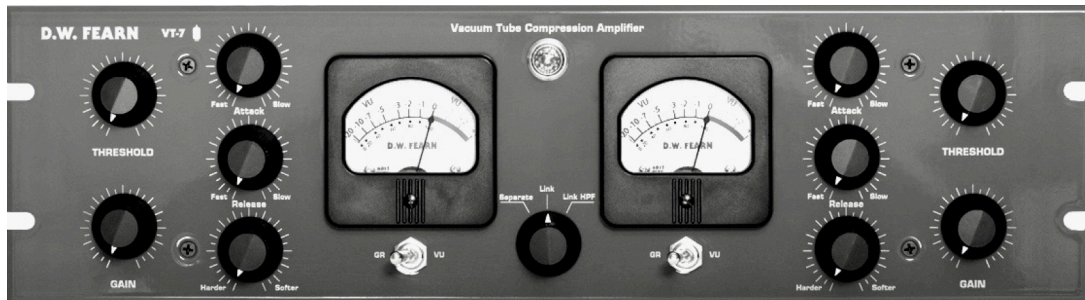


D.W.FEARN

VT-7

Vacuum Tube Compression Amplifier



Operating Instructions

How to Contact us:

Telephone:

567-DW FEARN
(567-393-3276)

Shipping Address:

124 Tartan Terrace
Chalfont, PA 18914
U.S.A.

e-mail: support@hazelriggindustries.com
www.dwfearn.com

D.W. FEARN



HAND-CRAFTED PROFESSIONAL RECORDING EQUIPMENT

HAZELRIGG INDUSTRIES

124 Tartan Terrace
Chalfont, PA, U.S.A.
Tel: 567-393-3276

Certificate of RoHS Compliance

D.W. Fearn / Hazelrigg Industries is committed to manufacturing products that are fully-compliant with the EU RoHS Directive.

The following products are compliant:

VT-1, VT-2, VT-24, VLC(-1)

VT-3, VT-I/F, VDI

VT-4, VT-5

VT-7

VT-15

LP-1

PDB

This declaration is based on our understanding of the current RoHS Directive and from information provided by the supplier material declarations with regard to materials contained in the component that make up our products.

Douglas W. Fearn

President

VT-7 Vacuum Tube Compression Amplifier Final Test Report

Model _____ **Serial Number** _____ **Mains Voltage:** _____ **VAC**
Date _____ **Tested by** _____ **VU Calibrated to** _____ **dBm**
Test Equipment _____

Channel A

Frequency Response:

20 cps to 20 kc/s +/- _____ dB

THD+Noise:

20 cps _____ %

200 cps _____ %

2 kc/s _____ %

20 kc/s _____ %

Noise:

_____ dB below +4 dBm out

Operational Tests:

Compression Range _____

Attack _____

Release _____

Shape _____

Link _____

GR Meter _____

Listening Test _____

Channel B

Frequency Response:

20 cps to 20 kc/s +/- _____ dB

THD+Noise:

20 cps _____ %

200 cps _____ %

2 kc/s _____ %

20 kc/s _____ %

Noise:

_____ dB below +4 dBm out

Operational Tests:

Compression Range _____

Attack _____

Release _____

Shape _____

Link _____

GR Meter _____

Listening Test _____

Table of Contents

Final Test Report	4
Warranty	7
History of the VT-7	8
1. Specifications	10
2. Description.....	11
3. Installation	12
4. Operation	15
5. Theory of Operation	20
6. Maintenance	23

List of Illustrations

1. Front Panel Controls and Indicators	15
2. Location of VU Meter Calibration	25

D.W. Fearn / Hazelrigg Industries shall not be liable for technical or editorial errors or omissions in this manual, nor for incidental or consequential damages resulting from the use of this material.

This instruction manual contains information protected by copyright. No part of this manual may be photocopied or reproduced in any form without prior written consent from D.W. Fearn.

Limited 7-Year Warranty

During the warranty period, D.W. Fearn will, at no additional charge, repair or replace defective parts with new parts.

This warranty does not extend to any VT-7 that has been damaged or rendered defective as a result of accident, misuse, or abuse; by the use of parts not manufactured or supplied by D.W. Fearn; or by unauthorized modification of the VT-7. Vacuum tubes are excepted from the 7-year warranty, but are warranted for 90 days from date of purchase.

Except as expressly set forth in this Warranty, D.W. Fearn makes no other warranties, express or implied, including any implied warranty of merchantability and fitness for a particular purpose.

History of the VT-7 Compression Amplifier

Compression (or limiting) is sometimes seen as a necessary evil in the recording process. Often it is used to compensate for less than optimum performance or recording technique. However, when used appropriately, there is no question that good-sounding compression can add loudness, power, and improved impact to a recording.

Over many years of recording, I have had the opportunity to use and sometimes own some of the best compressors in the world. For the D.W. Fearn line of products, a compressor was obviously important. I began the search for the ultimate compressor design in 1995 and it wasn't until 2004 that I developed the sound I was looking for.

There are several ways to achieve compression, and all have their advantages and disadvantages. The earliest, and still one of the best, designs uses the characteristic of vacuum tubes that allows their gain to be varied by changing the grid bias. Only certain tube types are appropriate for this (the variable-mu or remote cut-off types), and none are currently being manufactured. Since I want my products to be used for a long, long time, I could not manufacture a product that used tubes that were increasingly rare.

Another excellent approach uses a photoresistor illuminated by a light source to vary the gain of an amplifier. This method was pioneered by Teletronics/Universal Audio in the LA-2. Many LA-2s were built over the years, and more recently there have been several new versions of this classic circuit. The world has a good supply of old and new LA-2-style compressors, and although I did some experimenting with this circuit, I felt that there were enough of them and I didn't need to add another. Also, this design lacks the versatility I thought was necessary.

A more modern approach uses a voltage-controlled amplifier (VCA), which is quite versatile and can combine several additional functions (de-essing, gating, etc.) in one simple unit. However, I was never satisfied with the sound of VCA compressors and did not consider that design for my use.

I experimented with a few off-the-wall approaches, but was not convinced that these designs would really work to my standards.

Another approach, not often used, utilizes a pulse-width modulator to control the duty-cycle of a gain reduction element. This approach has several advantages, including the ability to offer a wide range of adjustment. In the VT-7, a solid-state pulse-width modulator controls a special shunt element in the audio path to control the gain. Since no audio passes through the element, there is no added distortion or other degradation of the sound. That's the simple part. Much more complex is the surrounding circuitry that

provides precision control of the element in a way that conforms to what I wanted to hear.

Because the element is well-isolated from the vacuum tube circuitry before and after it, the effect on the audio is entirely linear. It does not introduce any measurable distortion. And it passes my test for sonic superiority.

The vacuum tube audio path uses circuitry developed for the D.W. Fearn VT-4 LC Equalizer. In some of the circuit, entirely new designs were needed. The VT-7 uses a combination of 6072A and 6N1P tubes and has the basic sound of all my products.

A look inside the VT-7 reveals a very full box with several densely-packed circuit boards for the gain control driver circuitry, interspersed with eight vacuum tubes. Because of the very high frequencies involved in the control circuitry, there are many surface-mount (SMT) components. Thus, the VT-7 is a combination of the latest technology, where needed, with a classic great-sounding vacuum tube audio path.

The VT-7 was designed from the beginning to be a stereo compressor. The two channels can be used separately or linked together for stereo.

So what does the VT-7 sound like? In many respects, it is like the classic vacuum tube compressors with the same musical sound. I have always believed that for most applications the compression characteristics that sound best are those that approximate the natural compression inherent in our hearing. The VT-7 has this kind of natural-sounding compression that sounds just right to me.

The ultimate test for all my products is this: *Would I use it in preference to any other product out there, old or new?* The VT-7 passes this test.

There are not a lot of controls on the VT-7. Basically, there is just a knob to control the amount of compression (Threshold), the amount of gain, the attack and release times, and a knob that smoothly varies the compression characteristic from a “softer” to a “harder” sound. At first, some users may find the controls do not have the range of adjustment that they are used to in more heavy-handed limiters. However, true to philosophy of design in all my products, the VT-7 is intended to take good sound and make it sound great. Although its effect can be made to sound obvious, I like the way the VT-7 sounds like what a really good engineer would do if he had excellent taste and infinitely fast hands on a fader. In other words, the VT-7 controls the levels without drawing attention to itself. To me, it just sounds right.

Douglas W. Fearn November 2004

1. SPECIFICATIONS

Input	600 ohm source (nominal) balanced or unbalanced
Input Load Impedance	32k ohms, transformer balanced bridging
Nominal Input Level	+4 dBm
Maximum Input Level @ 20 cps	+25 dBm
Gain	unity to +15dB
Frequency Response	± 0.2 dB 20 cps to 20 kc ± 0.5 dB 11 cps to 28 kc -3 dB @ 0.5 cps & 65 kc
THD + Noise	<0.05% 20 cps to 20 kc
Signal to Noise Ratio	78 dB minimum
Output	low-Z, transformer balanced
Output source impedance	115 ohms
Maximum Output Level	+22 dBm into bridging input balanced or unbalanced
Gain Reduction Range	0 to 20dB
Power Requirements	120 or 220 VAC 50/60Hz, 85 W
Dimensions	19" (48.26cm) W 5.25" (13.34cm) H 13" (22.9cm) D
Weight	22 lbs (9.55 kg)
Shipping Weight:	28 lbs (12.27 kg)

(measurements are made with +4dBm input and output, no compression, into a bridging load)

2. DESCRIPTION

The Model VT-7 Vacuum Tube Compression Amplifier is designed to provide recording professionals with a sonically superior signal processing device. It is typically used in sound recording studios for processing individual tracks or, when the channels are linked, as a stereo compressor. The inputs and outputs are at line level.

The VT-7 in many ways recreates the sound of the classic tube compressors of the 1960s, but using modern gain control circuitry. The audio path is entirely Class-A triode vacuum tubes, similar to classic designs but updated with improved modern passive components and computer-aided circuit optimization. Because of the unique qualities of vacuum tubes, the VT-7 has a clarity, transparency, and warmth that solid state compressors lack. Its modern design and construction allows the VT-7 to exceed the performance of vintage vacuum tube compressors.

The VT-7 is capable of over 30dB of gain reduction, but all units above serial number 19 are limited to 15dB of compression to provide greater resolution in the Threshold control for setting moderate amounts of compression. The VT-7 can be special-ordered with the full 30dB range. Although a VT-7 could be modified after construction, it is rather involved.

It is designed for use in the professional recording environment. It accepts a low impedance (600 ohm nominal source impedance) balanced or unbalanced line level (nominal +4dBm) signal. It features two independent channels, which can be linked to provide precise gain reduction tracking of a stereo signal. There are controls for compression threshold, gain, attack and release times, and compression curve. Additional controls are used to link the two channels and to switch the true VU meter between measuring gain reduction and output level. It is built to sound great for a long time, with top quality parts used throughout; the output transformers and many other components are custom-made for the VT-7.

All five power supplies (filament, B+, and three voltages for the solid-state control circuitry and meter amp) are solid state and fully regulated.

The VT-7 is not mass-produced. Each one is hand-made and meticulously tested and listened to before shipment to the customer.

3. INSTALLATION

The VT-7 is carefully packed for shipment and it should survive all but the most brutal handling. If there is any damage, keep the shipping material for use during any possible claim for damage with the shipper. You might also want to keep the box and packaging material in case you ever have to ship the VT-7.

Included in the box:

- 1) The VT-7 Compression Amplifier
- 2) Line cord
- 3) This instruction manual

Mounting

The VT-7 is designed for installation in a standard 19 inch rack. It requires 5.25 inches of vertical space, but additional spacing between it and adjacent equipment is recommended for adequate cooling. Ideally, a ventilated panel at least 1 rack unit high (1.25 inches) should be installed above and below the VT-7 (and around any other heat producing equipment for that matter). Be sure the top and bottom vent slots are not blocked. It is essential that air can flow into the bottom and out of the top of the VT-7. Equipment that runs cool can last for a very long time.

There are eight vacuum tubes and seven printed circuit boards loaded with solid-state components in the VT-7. It generates a lot of heat. You need to think through your mounting scheme to provide the VT-7 with sufficient air flow for cooling. It will eventually be damaged if the top and bottom cooling slots are covered. Forced air cooling in your equipment rack will benefit all your equipment.

The VT-7 can also be used without a rack, placed on a table, counter, or even on the floor if there is room for air to enter the bottom of the unit. Optional rubber feet are available, when requested at the time of the order.

Moderate electrical and magnetic fields in the vicinity of the VT-7 should not cause any degradation in noise performance, due to the well-shielded construction, but proximity to devices with motors or large power transformers (i.e. tape machines or power amps) should be avoided.

The VT-7 uses some high frequency signals in the control circuitry and although the VT-7 itself is designed to be immune to these signals, other sensitive equipment mounted above or below the VT-7 may not be designed as well as the VT-7. You may have to move equipment that has poor RFI rejection to a location

farther away from the VT-7.

Power

The VT-7 is designed to operate from 120 or 220-240 volt, 50/60 Hz power. The unit will be shipped for the voltage specified in the order, but may be changed in the field if necessary. (See the Maintenance section for detailed instructions on changing the primary voltage). The ground pin of the power cord is internally connected to the chassis. This configuration is standard in professional equipment and is required by most electrical codes. A grounding screw is provided on the back panel for installations that use separate chassis grounding. If ground loop hum is detected, a careful check of the studio grounding scheme is needed. The VT-7 is less susceptible to grounding problems than many studio devices.

Connections

The INPUT connectors are XLR-3 females wired with pin 1 ground, pin 2 “+” or “high,” and pin 3 “-” or “low.” The input matches 600 ohm (nominal) line level (+4dBm nominal) balanced or unbalanced signals. The input uses a top-quality Jensen line bridging transformer.

The OUTPUT connectors are XLR-3 male wired with pin 1 ground, pin 2 “+” or “high,” and pin 3 “-” or “low.” The VT-7 is optimized for feeding balanced bridging inputs. (Virtually all modern audio equipment has bridging inputs.) The output is transformer-balanced.

The “GND” terminal is for use when an external grounding scheme is utilized.

The Fuse is a 3AG 6.3x32mm-type slow-blow 2 amp for 120 VAC operation, and 1 amp for 220-240 volts.

The AC input connector is used with the mating line cord (supplied). For 120 VAC operation, this cord is a Belden 17250 or equivalent.

The unit does not utilize any RFI filtering, and no RFI has been experienced, even when the VT-7 is operated in close proximity to AM, FM, and TV broadcast transmitters.

Input and Output Connections

Gold-plated XLR connectors are used for inputs and outputs. The input connectors are female and the

outputs male.

All connectors are wired according to AES standard: pin 1 is ground (shield), pin 2 is “high” or “+,” and pin 3 is “low” or “-.” A positive voltage on pin 2 of the input will result in a positive voltage on pin 2 of the output.

Grounding and Shields

A full discussion of proper studio wiring schemes is beyond the scope of this manual, but, in general, whether the shield is connected to pin 1 of the output connector depends on the standard in your studio. The shield should be connected to ground at only one end of the out- put cable; however, although not recommended, the shields can often be connected at both ends without a problem.

4. OPERATION

Input

Since the input cable will be carrying high quality audio, it is important that a well-shielded cable is used. You should strive to minimize the number connectors, patch jacks, switches, etc. between the source and the VT-7 input.

Output

The output of the VT-7 is line level, transformer balanced. Note that vacuum tube equipment is more sensitive to load impedance than solid state units. The VT-7 design was optimized for feeding a balanced bridging input (20k ohms or greater). When feeding a 600 ohm load, there may be a slight degradation of some of the specifications. In modern studio equipment, bridging line inputs are universal. If the device being fed by the VT-7 has an input termination switch, that switch should be in the “off” position.

The VT-7 can feed balanced or unbalanced inputs with no need for any modification in out- put wiring. Either pin 2 or 3 can be grounded, although pin 2 is normally used as the ”hot” and pin 3 grounded in unbalanced configurations.

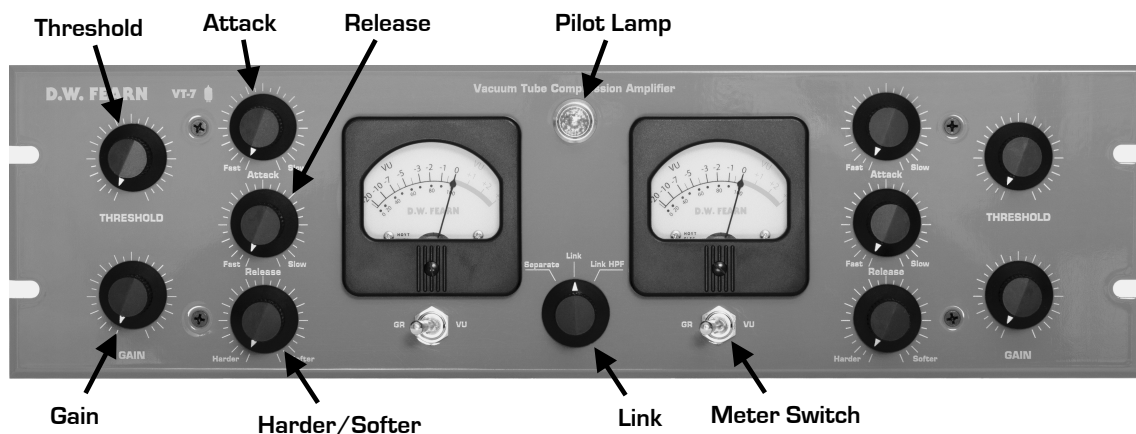


Figure 2. VT-7 front panel controls and indicators

CONTROLS (see Figure 2.)

Threshold The Threshold control adjusts the point where compression begins. With the control all the way down, there is no compression and the VT-7 operates as a straight amplifier. As the control is turned clockwise, the amount of compression increases. This can be monitored on the VU meter (in the GR position), or by ear.

Gain Whenever compression is applied, the signal is reduced in level by the amount of gain reduction. The Gain control allows you to make up the lost gain as necessary. At the full counter-clockwise position, the gain of the VT-7 (with no compression) is about -3dB. The maximum gain available is about 15dB.

Attack This control adjusts the time it takes the VT-7 gain reduction circuitry to react to a signal. It might seem that the faster the attack time, the better, but very fast attack times will result in significant distortion on material with a lot of low frequency content (this is true of all compressors). As the control is turned clockwise, the attack time becomes longer. Often with percussive sounds it is advantageous to have fairly long attack times to allow the initial transient of the sound to pass through the VT-7 without gain reduction. Experiment with the Attack control on percussive material to see how it changes the sound. Generally speaking, a fast attack time is best when complete control of the maximum instantaneous level is required. This might be desirable to protect a digital input from overload. However, a more natural sound is usually obtained with a slightly slower attack time. Long attack times can be useful as an effect, adding power to percussive instruments.

Release The Release control adjusts how long it takes for the gain to return to normal after a sound ceases (or drops in level). Fast release times add more energy to the sound, but can add distortion to low frequency sounds. (This is true of all compressors.) A fast release time adds density to the sound, often with the compression becoming more obvious. Long release times make the compression less obvious and more natural, but can “punch holes” in the lower level audio under certain conditions of high percussive levels.

Harder/Softer This control adjusts the nature of the compression curve. Toward the “Harder” end of the control, the compression ratio is higher and the levels more tightly controlled. At the “Softer” end, the compression ratio is lower and the compression is more gentle. This is not merely a ratio control, however, as other parameters also change as the control is adjusted. More than any other control, this one needs to be adjusted by ear. This control interacts with the Threshold, Attack, and Release controls, so after changing the Softer/Harder control, you should experiment with others to obtain the effect you desire. Its technical operation is complicated to explain, so it is much easier to understand it simply by experimenting.

Separate/Link/Link HPF This is a three-position switch that links the two channels together for stereo operation. In the Separate position, the two channels operate completely independently, and can be used on totally different sources without any interaction. In the Link position, the two channels track each other precisely, so that the stereo image will remain constant even if one channel has much more level than the other. In the Link HPF position, a high-pass (low cut) filter is inserted in the sidechain. This makes the

compression less bass- sensitive and may be useful on mixes that have a very heavy bass content. It will reduce “pumping” of the mix from bass or bass drum hits, and increase the amount of low-end in the mix. The HPF operates on both channels, in a linked configuration. The roll-off of bass sensitivity is a very gentle curve (about 6dB per octave) and has little effect above 150Hz.

You can run a stereo signal with the switch in the Separate position for an effect. On a stereo pair such as a piano or other sub-mix stereo source, the image will tend to shift from left to right as the signal becomes louder in one channel compared to the other. This would be disconcerting on a stereo bus, but it could be interesting on individual stereo tracks.

With very fast Attack and/or Release times, low-frequency distortion can often be reduced significantly using the Link HPF position.

When operating in the Link or Link HPF positions, only the left side (Channel A) controls are operative. The right channel (B) controls will have no effect on the operation. The only exception is the Gain control, which will still adjust the level of the B channel in the Link position.

Meter Switch The VU meter can be switched to read either output (“VU”) or gain reduction (“GR”). In the VU position, the meter will indicate the actual output level of the VT-7. The “0” VU mark indicates +4dBm output

In the “GR” position, the meter indicates the amount of gain reduction (compression), in dB. With no compression, the meter will rest at the “0” VU mark. As compression increases, the meter will move more to the left. The meter reading indicates the average amount of compression. The precise calibration of the no-signal 0VU indication may drift slightly as the VT- 7 warms up, and change somewhat over time as various components age. This does not affect the sound of the VT-7 or the gain reduction range. There is a calibration control to set the 0VU indication but it is not something that a non-technical user should adjust.

The VU meter will always indicate an average amount of level or gain reduction, not the peak value. This is a true VU meter, and conforms to ASA Standard C16.5-1954. The VT-7 is capable of a wider range of gain reduction than a standard VU meter can accurately display, so it is possible that the reading could be fully to the left end of the scale (greater than 20dB). This will cause no harm to the VT-7, although it is an extreme amount of compression.

Like all true VU meters, the reading is an average and does not indicate the peak level, either in output nor in gain reduction.

Pilot light This yellow lamp lights whenever the VT-7 is turned on. The VU meters are also illuminated.

Rear Panel Controls

Power switch Primary power is applied to the VT-7 circuits when the rear panel power switch is in the “on” position (I). This switch is directly below the AC input connector.

Mains voltage selector This two-position switch is set to the appropriate mains power voltage in the location where the VT-7 is used. The only active positions are the “115” and “230” positions. The “230” volt position will properly accommodate any mains voltage from 220 to 240 volts nominal. See the Maintenance section for instructions on changing the voltage.

Fuse The center part of the voltage selector is a fuse holder. For 120 volt operation, the fuse is 2 amps. For 240 volt operation it is 1 amp. See the Maintenance section for fuse replacement information.

Bench Test

If desired, test the VT-7 before installation. The source generator should be set to +4dBm, 600 ohms impedance, balanced, and the output should feed a balanced bridging input of the audio analyzer. Measured bandwidth should be 20 cps to 20 kc to obtain the same readings as the factory test results. Compare your measurements with the test data supplied with VT- 7. Keep the results for comparison in future maintenance tests.

Initial Set-Up

The VT-7 should be installed as detailed in the Installation section. With the outputs connected to an appropriate destination (typically to audio recorder inputs or as a mixer insert), configure the studio to monitor the VT-7 output. Apply power and wait about twenty seconds for the tube filaments to get up to temperature. Check for hum, buzz, or other noise. For the first few minutes after a cold start it is not unusual for the VT-7 to produce hiss, pops, and micro- phonic “clanks” as the internal elements of the tubes expand from the heat. Correct any ground loop problems before proceeding.

The controls should be set as follows:

- **Power (back panel)..... On**
- **Threshold.....9 o'clock**
- **Gain.....9 o'clock**
- **Attack.....1 o'clock**
- **Release.....9 o'clock**
- **Softer / Harder.....mid-point**
- **Link / Separate.....Separate**

The best indication of proper operation of the VT-7 is how it sounds. This compressor has a wide operating range and many different settings can provide a wide variety of effects.

Be certain that the output level of the VT-7 is appropriate for the device connected to the out- put. +4 dBm is the accepted standard level for all professional recording equipment. Some older equipment may be designed for 0 dBm or +8 dBm, either of which can be easily accommodated by the VT-7.

Semi-professional equipment frequently uses a reference level of -10 dBv (roughly 14 dB lower than pro equipment). Although the VT-7 can feed the unbalanced, -10 dBv inputs of semi-pro gear with no difficulty, the VT-7 VU meter will have to be recalibrated in order to be useful. (See Section 6 - Maintenance.)

Use your ears to find the setting that sounds best to you for any given sound.

SUGGESTIONS:

You have chosen to use the VT-7 because of the superior sound it provides. To gain the maximum benefit from your investment, it is important that you hook up the VT-7 so that other factors do not adversely affect the sound quality.

Except for extremely short Attack and Release times, the VT-7 will provide quality sound with any settings. But like any instrument, you will find the best adjustment of the controls by experimenting. The starting adjustments listed above will get you started. Now play with the controls to find the sound that fits your project perfectly.

5. THEORY OF OPERATION

Input section

Line level (low source impedance, balanced, +4 dBm nominal) audio enters through the XLR-3 female INPUT connector to a bridging input transformer. The load imposed on the source is 32k ohms and is constant regardless of the frequency.

Input transformer

The input transformer is made by Jensen Transformers, Inc. and represents the state of the art in transformer design. It exhibits extremely flat frequency response, low phase shift, excellent square wave response, low distortion, and high noise immunity. The secondary of is connected directly to the grid of the first amplifier stage.

Input Amplifier

First stage

The first stage is a 6072a configured as a Class A voltage amplifier with a gain of approximately 20. Negative feedback from the plate of the second stage reduces distortion, flattens the frequency response, and makes the gain of the first two stages less dependent on individual vacuum tube characteristics.

Second stage

The output of the first stage is coupled to the grid of the second stage through a polypropylene capacitor. This stage operates as a Class A voltage amplifier with a gain of approximately 15.

Output Stage

The output stage operates as a cathode follower, presenting a comparatively low output impedance (approximately 450 ohms). The cathode output is coupled through a polypropylene capacitor to the Pulse Width Modulator board.

Pulse Width Modulator

These boards, mounted underneath the chassis, contains the pulse generation and control circuitry, and the

gain reduction element. The loss through the board is about 20dB with no gain reduction, rising to about 50dB with maximum gain reduction (30dB standard on serial numbers 19 and above). A second pair of printed circuit boards on the top of the chassis shapes the audio signal for the PWM circuit.

Output Amplifier

First stage

The first stage is a 6072A configured as a Class A voltage amplifier with a gain of approximately 30. Negative feedback from the plate of the second stage reduces distortion, flattens the frequency response, and makes the gain of the first two stages less dependent on individual vacuum tube characteristics.

Second stage

The output of the first stage is coupled to the grid of the second stage through a polypropylene capacitor. This stage operates as a Class A voltage amplifier with a gain of approximately 20.

Output Stage

The output stage operates as a cathode follower, followed by a custom output transformer built for D.W. Fearn by Jensen Transformers, Inc. The output impedance is 115 ohms.

Meter and Meter Amplifier

Two-stage IC operational amplifiers are used to isolate the VU meters from the VT-7 outputs. An output sample is derived from the primary of the output transformer. The VU meter amplifiers are constructed on the printed circuit board that also contains the Link/Link HPF circuitry. It is mounted above the main chassis. The meter calibrations set with a 20-turn trimmer potentiometer. Reference level (0 VU) can be set from -20 to over +20dBm.

The meter can monitor gain reduction in the “GR” position. The meter is driven by a precision circuit that provides exact tracking with the actual amount of gain reduction. The meter “0” adjustments are on the PWM boards.

The level indicator is a custom true VU meter conforming to ASA Standard C16.5-1954.

Power Supplies

Primary power from the AC mains is connected to the VT-7 through a standard IEC power input connector with an integrated power switch. The Power switch energizes all five power supplies. A mains voltage selector switch on the back panel allows the primary voltage of the VT-7 to be easily changed in the field.

A fuse protects the VT-7. The Pilot lamp is a type 1819 bulb, operated far below its rated voltage of 28. The life of the bulb is lengthened, and the light output is more compatible with other modern studio equipment. The power transformer is a toroidal unit custom-made for the VT-7 and has primary taps for 100, 120, or 220-240 volt operation.

Filament Supply

The power transformer output is rectified by a bridge rectifier and filtered before being regulated. The output of this supply is 12 volts.

Low-voltage Supplies

This supply provides +15, -15, and +5 volts for the solid-state circuitry in the Pulse Width Modulator.

B+ Supply

Eight separate regulated voltages are required for the plates of the VT-7. The B+ is filtered with long-life, low-leakage, computer-grade filter capacitors before being regulated and extensively bypassed and decoupled. The negative side of the supply is grounded.

6. MAINTENANCE

The VT-7 is built with only the highest quality parts and will prove to be extremely reliable. Vacuum tubes and electrolytic capacitors, however, have a finite useful life and must be replaced eventually.

Top/Bottom Cover Removal

Removing the top cover allows access to the vacuum tubes and some of the calibration controls. The top cover allows access to the VU meter calibration controls. Sixteen 6-32 Phillips-head screws must be removed. When replacing the cover, position it so that the slotted ventilation holes are over the tubes (towards the back on the VT-7).

CAUTION! With the top or bottom covers removed, voltages of up to 400 are exposed. These voltages can be very dangerous, even lethal in some circumstances. Only persons with experience with high voltage vacuum tube equipment adjustment and repair should operate the VT-7 with either the top or bottom covers removed!

Vacuum Tubes

Eight 6072A tubes are used in the VT-7. There can be as much as a 15 dB difference in noise level among an assortment of tubes, and the 6072A tubes used should be carefully chosen to maintain low noise. Selected low-noise tubes are available from D. W. Fearn.

Tube life is difficult to predict, but it will probably be measured in years. Catastrophic tube failure is rare with this type of device, but a gradual increase in noise, microphonics, distortion, or a reduction in headroom, should indicate the need for replacement. It is recommended that you periodically perform a quick noise and distortion check on the VT-7 and compare the results to previous measurements.

Tubes also sometimes develop a microphonic response — they will respond to ambient noise and vibration. This can be an insidious problem since measurements in a quiet room will indicate perfect performance. Gently tapping the tube shields while listening to the output at a normal monitor level should reveal nothing more than a slight “clank.” On a peak-reading meter connected to the VT-7 output, with unity gain, any microphonic response above -55 dBm is excessive. Replacement is indicated unless the VT-7 always operates in a quiet and vibration-free environment.

Although you could purchase a batch of 6072A tubes and select the quietest one(s), it may be cost effective to buy a low-noise tube from the us. Current prices are \$252.00 for full set. (See www.dwfearn.com for the latest prices.) We test the tubes in a VT-7 after a burn-in period and grade them according to noise, microphonic response, distortion, and other characteristics. A low-noise tube from us will meet the original VT-7 specifications.

Remember that vacuum tubes may be quite hot during operation. Protect your fingers during tube replacement. The VT-7 should be turned off and the power cord disconnected before removing the top cover. Allow at least one minute for the filter capacitors to discharge before tube removal or insertion. Tubes are made of glass and will break if dropped or even bumped in a critical area. Handle with care.

Electrolytic Capacitors

The VT-7 is designed and built to last for a long, long time, and it is possible that some components (e.g. electrolytic capacitors) may reach the end of their life long before the equipment becomes obsolete. The electrolytic capacitors used in the VT-7 typically will last at least twenty years. If there is a measurable and/or audible increase in 120Hz noise (100Hz when the mains frequency is 50Hz), the filter capacitors should be suspected. They should be replaced with new capacitors of equivalent capacitance and voltage rating, and the replacements should be specified for a minimum ten-year service life.

Electrolytic capacitors are also used as decouplers. In choosing a replacement, the same considerations as with the filter capacitors should be followed.

VU Meter Calibration

Output Meter

The meter amplifier circuit is stable and re-adjustment of the meter calibration is not normally required. If the output reference level needs to be changed, here is the procedure:

1. Remove the VT-7 top cover.
2. Terminate the output in the same impedance as the VT-7 will normally be feeding. This will almost always be a high-impedance bridging termination of 20k ohms or more.
3. Apply AC power. Allow at least a fifteen minute warm-up. Feed a 1 kc tone at +4 dBm into the VT-7 input.
4. Measure the output and set the Gain control for +4 dBm (or whatever reference is desired).

5. Set the Meter Calibration trimmer potentiometers for 0 VU on the VT-7 meter(s). Be sure the meter is on the “VU” position. This control is a 20-turn pot so the adjustment is easy. A small screwdriver or alignment tool is necessary. The controls are located on the relay/meter amplifier printed circuit board on the top center of the chassis. Make sure you have located the proper trim pot; there are other trim pots in the vicinity that should not be touched.
6. Replace the top cover. Be sure the ventilation slots are over the tubes (towards the back).

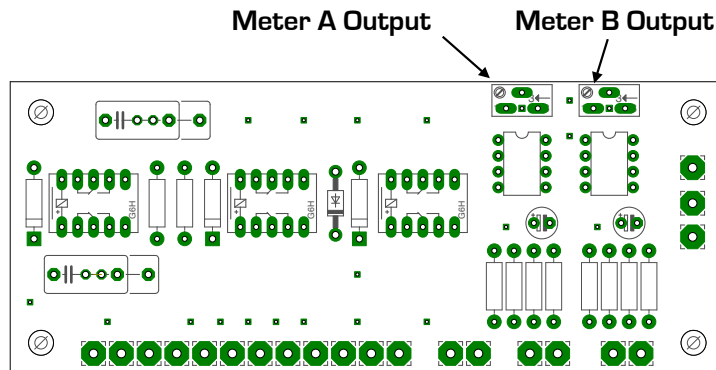


Figure 3. VU meter calibration

Gain Reduction meter calibration

The adjustments for the VU meter “0” calibration in the “GR” position are located on the PWM board. Contact the factory for complete adjustment instructions. Note that the meter calibration can be off but the VT-7 will continue to operate normally otherwise. Some drifting of this adjustment is normal, and the reading will change as the VT-7 warms up over a period of an hour or so.

Alignment

There are many alignment adjustments in the VT-7, many of which that require test equipment that is more sophisticated than is available in many studios. Notably, an oscilloscope with a calibrated time base that can accurately resolve 40nS is required.

The circuitry of the VT-7 is quite stable and routine alignment is usually not required. If the VT-7 requires alignment, contact the factory for detailed instructions.

Troubleshooting

Most problems will be traced to defective vacuum tubes. However, if normal tests do not easily reveal the problem, feel free to call the factory for assistance. If you lack access to a qualified service technician with vacuum tube equipment repair experience, you may return the VT-7 to the factory for repair. Call first, however, for shipping information.

Warranty Repair

If the VT-7 should develop a problem during the five-year warranty period, call the factory for return shipping instructions. We will repair and return your VT-7 quickly. Note that the warranty does not cover vacuum tubes, which must be periodically replaced.